

TP-MED5M28C

5MP HD VibrantView™ Fixed Turret Network Camera



KEY FEATURES

- ✓ VibrantView™ technology for full color low light performance
- ✓ Up to 30m (98 ft) warm light LED range
- ✓ On-board person & vehicle detection
- ✓ Includes Turing Vision VSaaS license
- ✓ 30-day event clip cloud storage
- ✓ People & vehicle attribute search in the cloud
- ✓ Requires Turing SMART series NVR



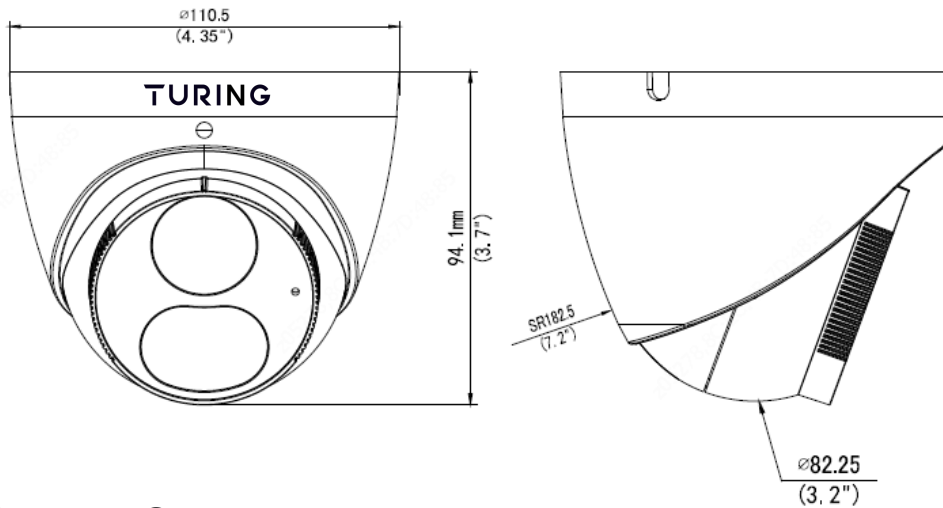
SPECIFICATIONS

CAMERA	
Sensor	1/2.7", 5.0 megapixel, progressive scan, CMOS
Lens	2.8mm@F1.0
Angle of view(H)	102.0°
Angle of View (V)	53.4°
Angle of View (O)	121.0°
Adjustment angle	Pan: 3° ~ 360° Tilt: 0° ~ 80° Rotate: 3° ~ 360°
Shutter	Auto/Manual, 1 ~ 1/100000s
Minimum Illumination	Colour: 0.001Lux (F1.0, AGC ON)
S/N	>56dB
Defog	Digital Defog
WDR	120dB
Warm Light LEDs	2
LED Distance	Up to 30m (98ft)
VIDEO	
Video Compression	Ultra265, H.265, H.264, MJPEG
H.264 code profile	Baseline profile, Main profile, High profile
Frame Rate	Main Stream: 5MP (2880*1620), Max 30fps; 4MP (2560*1440), Max 30fps; 3MP (2304*1296), Max 30fps; 2MP (1920*1080), Max 30fps; Sub Stream: 720P (1280*720), Max 30fps; D1 (720*576), Max 30fps; 640*360, Max 30fps; 2CIF (704*288), Max 30fps; CIF (352*288), Max 30fps; Third Stream: D1 (720*576), Max 30fps; 640*360, Max 30fps; 2CIF (704*288), Max 30fps; CIF (352*288), Max 30fps;
Video Bit Rate	128 Kbps~16 Mbps
9:16 Corridor Mode	Supported
OSD	Up to 8 OSDs
Privacy Mask	Up to 4 areas
ROI	Up to 8 areas
IMAGE	
White Balance	Auto/Outdoor/Fine Tune/Sodium Lamp/Locked/Auto2
Digital noise reduction	2D/3D DNR
Smart Illumination	Support
Flip	Normal/Vertical/Horizontal/180°/90°Clockwise/90°Anti-clockwise
Dewarping	N/A
HLC	Supported
BLC	Supported

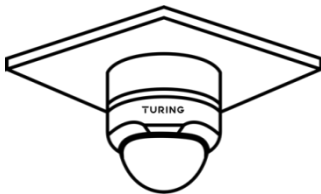
AUDIO	
Audio Compression	G.711
Suppression	Supported
Sampling Rate	8KHZ
STORAGE	
Edge Storage	Micro SD, up to 256GB
Network Storage	ANR, NAS(NFS)
NETWORK	
Protocols	IPv4, IGMP, ICMP, ARP, TCP, UDP, DHCP, PPPoE, RTP, RTSP, RTCP, DNS, DDNS, NTP, FTP, UPnP, HTTP, HTTPS, SMTP, 802.1x, SNMP, QoS
Compatible Integration	ONVIF (Profile S, Profile G, Profile T), API
Web Browser	Plug-in required live view: IE9+, Chrome 41 and below, Firefox 52 and below Plug-in free live view: Chrome 57.0+, Firefox 58.0+, Edge 16+, Safari 11+
INTERFACE	
Built-in Mic	Yes
Network	1 RJ45 10M/100M Base-TX Ethernet
CERTIFICATIONS	
Certifications	CE: EN 60950-1 UL: UL60950-1 FCC: FCC Part 15
GENERAL	
Power	DC 12V±25%, PoE (IEEE 802.3af) Power consumption: Max 7.5W
Dimensions (Ø x H)	Ø110.5 x 94.1mm (Ø4.4" x 3.7")
Net Weight	0.44kg (0.97lb)
Material	metal
Working Environment	-30°C ~ 60°C (-22°F ~ 140°F), Humidity: ≤95% RH (non-condensing)
Storage Environment	-30°C ~ 60°C (-22°F ~ 140°F), Humidity: ≤95% RH (non-condensing)
surge protection	2KV
Ingress Protection	IP67



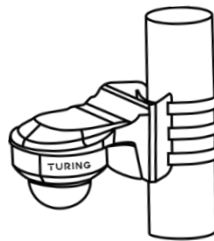
DIMENSIONS



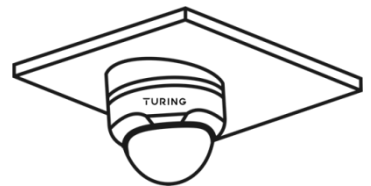
MOUNTING



Junction Box: TP-EFDJB



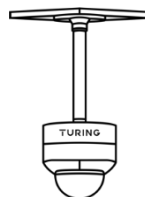
Pole Mount: TP-UDPM
Wall Mount: TP-EFDWM
WM w/ Junc. Box: TP-EFDWJ



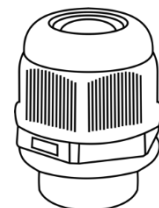
Tilted Mount: TP-EFDTM



Wall Mount: TP-EFDWM
w/ Junction Box: TP-EFDWJ



Pendant Mount: TP-AIPMB
Junction Box: TP-EFDJB
Optional Extensions: TP-IPME2 (9") &
TP-IPME5 (22")



Optional Cable Gland:
TP-UWPJ

