

TP-MBAD8M28

8MP HD Fixed Active Deterrence Bullet Network Camera



KEY FEATURES

- ✓ Dual-Light technology auto-switches between warm and IR LED
- ✓ Maintains color with warm light LED in low light
- ✓ Built-in speaker for two-way audio and event audio warning
- ✓ On-board person & vehicle detection
- ✓ Includes Turing Vision VSaaS license
- ✓ 30-day event clip cloud storage
- ✓ People & vehicle attribute search in the cloud
- ✓ Requires Turing SMART series NVR



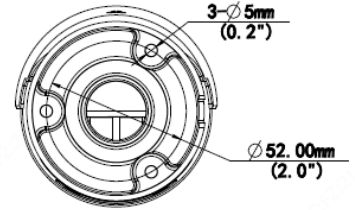
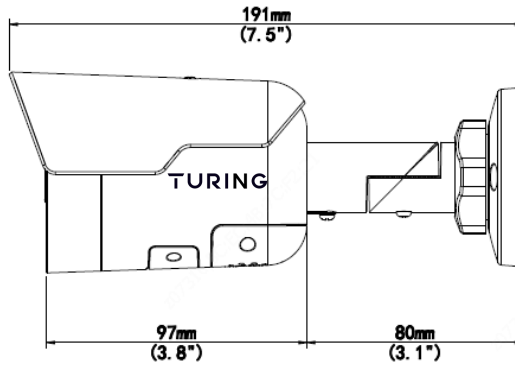
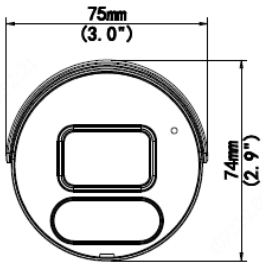
SPECIFICATIONS

CAMERA	
Sensor	1/2.7", 8.0 megapixel, progressive scan, CMOS
Lens	2.8mm@F2.0
Angle of View (H)	112.4°
Angle of View (V)	60.1°
Angle of View (O)	146.1°
Adjustment angle	Pan: 0° ~ 360° Tilt: 0° ~ 90° Rotate: 0° ~ 360°
Shutter	Auto/Manual, 1 ~ 1/100000s
Minimum Illumination	Colour: 0.01Lux (F2.0, AGC ON) 0Lux with IR on
Digital noise reduction	2D/3D DNR
Day/Night	IR-cut filter with auto switch (ICR)
S/N	>56dB
Warm Light Range	Up to 10m (32 ft) IR range
IR Range	Up to 30m (98 ft) IR range
IR Wavelength	850nm
IR On/Off Control	Auto/Manual
Defog	Digital Defog
WDR	120dB
VIDEO	
Video Compression	Ultra 265, H.265, H.264, MJPEG
H.264 code profile	Baseline profile, Main profile, High profile
Frame Rate	Main Stream: 8MP (3840*2160), Max 20fps; 5MP (3072*1728), Max 30fps; 4MP (2560*1440), Max 30fps; 1080P (1920*1080), Max 30fps; Sub Stream: 1080P (1920*1080), Max 30fps; 720P (1280*720), Max 30fps; D1 (720*576), Max 30fps; 640*360, Max 30fps; 2CIF(704*288), Max 30fps; CIF(352*288), Max 30fps; Third Stream: D1 (720*576), Max 30fps; 640*360, Max 30fps; 2CIF(704*288), Max 30fps; CIF(352*288), Max 30fps;
Video Bit Rate	128 Kbps~16 Mbps
OSD	Up to 8 OSDs
Privacy Mask	Up to 4 areas
ROI	Up to 8 areas
Motion Detection	Up to 4 areas
IMAGE	
White Balance	Auto/Outdoor/Fine Tune/Sodium Lamp/Locked/Auto2
Digital Noise Reduction	2D/3D DNR
Smart IR	Supported
Flip	Normal/Vertical/Horizontal/180°/90°Clockwise/90°Anti-clockwise
Dewarping	Supported
HLC	Supported
BLC	Supported

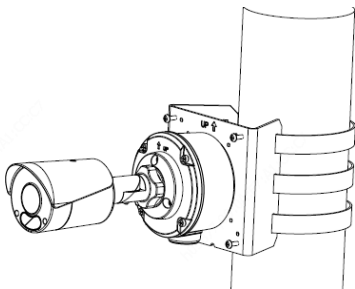
AUDIO	
Audio Compression	G.711
Two-way audio	Supported
Suppression	Supported
Sampling Rate	8KHZ
STORAGE	
Edge Storage	Micro SD, up to 256GB
Network Storage	ANR
NETWORK	
Protocols	IPv4, IGMP, ICMP, ARP, TCP, UDP, DHCP, PPPoE, RTP, RTSP, RTCP, DNS, DDNS, NTP, FTP, UPnP, HTTP, HTTPS, SMTP, 802.1x, SNMP, QoS
Compatible Integration	ONVIF (Profile S, Profile G, Profile T), API
Web Browser	Plug-in required live view: IE9+, Chrome 41 and below, Firefox 52 and below Plug-in free live view: Chrome 57.0+, Firefox 58.0+, Edge 16+, Safari 11+
INTERFACE	
Network	1 RJ45 10M/100M Base-TX Ethernet
Built-in Mic	Yes
Built-in Speaker	Yes
Alarm Light	Yes
CERTIFICATIONS	
Certifications	CE: EN 60950-1 UL: UL60950-1 FCC: FCC Part 15
GENERAL	
Power	DC 12V±25%, PoE (IEEE 802.3af) Power consumption: Max 10.5W
Dimensions (L × W × H)	191× 75 × 74mm (7.5" × 3.0" × 2.9")
Net Weight	0.41kg (0.90lb)
Material	Metal
Working Environment	-30°C ~ 60°C (-22°F ~ 140°F), Humidity: ≤95% RH (non-condensing)
Storage Environment	-30°C ~ 60°C (-22°F ~ 140°F), Humidity: ≤95% RH (non-condensing)
Surge Protection	2KV
Ingress Protection	IP67
Reset Button	Supported



DIMENSIONS



MOUNTING



Wall Mount:
TP-FSBJB
(Round)
Pole Mount:
TP-FCBPM

